

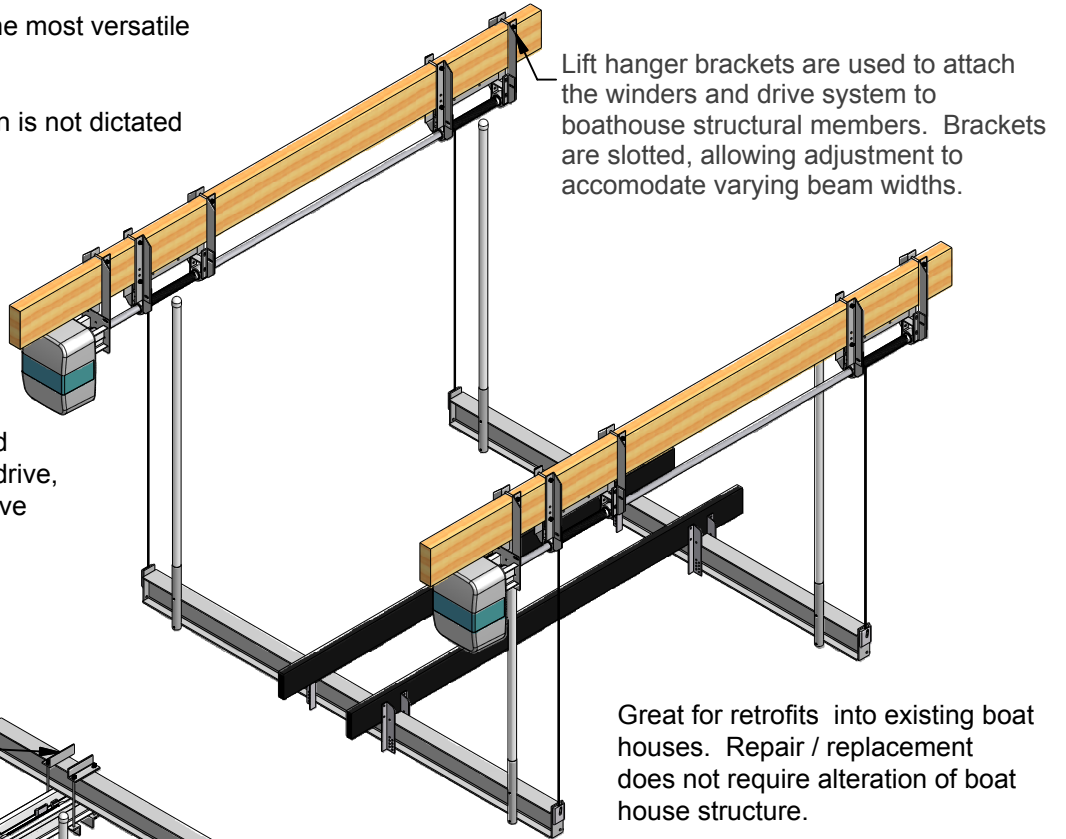
Our lift hanger brackets make for the most versatile boat house lifts in the industry.

With our system, your lift installation is not dictated by piling layout.

Our hanger brackets easily allow fore - aft adjustment of the lift position to best suit your boat.

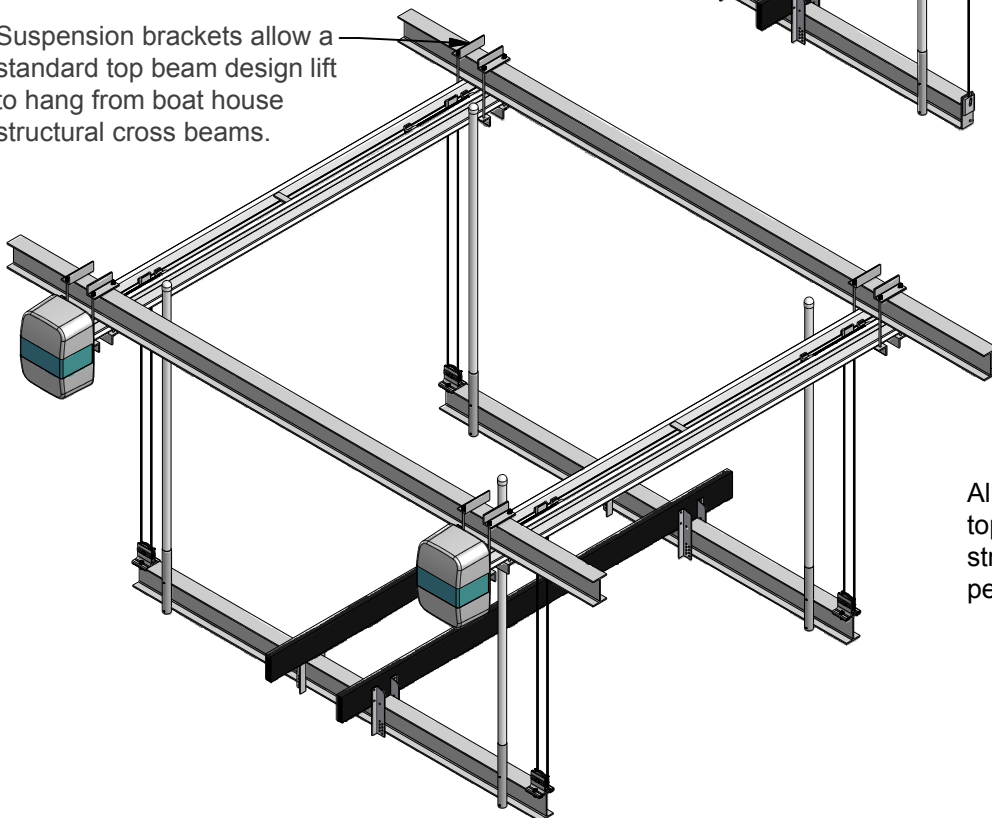
Maximizes slip usage (width).

Our hanger brackets allow for an out of sight installation. Coupled with our no-maintenance platinum drive, our boat house lift is truly unobtrusive and worry free.



Lift hanger brackets are used to attach the winders and drive system to boathouse structural members. Brackets are slotted, allowing adjustment to accommodate varying beam widths.

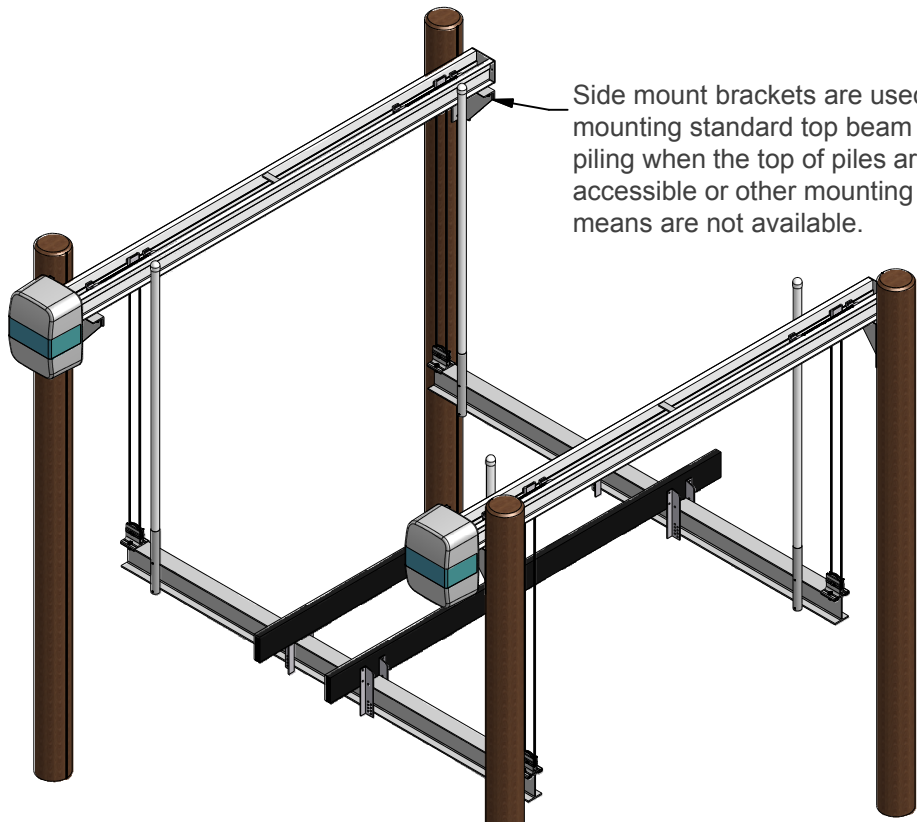
Suspension brackets allow a standard top beam design lift to hang from boat house structural cross beams.



Great for retrofits into existing boat houses. Repair / replacement does not require alteration of boat house structure.

An economical choice that saves money using less aluminum by eliminating the top beam.

Allows for the installation of traditional top beam design lifts onto boat house structural cross beams that run perpendicular to the slip.



Side mount brackets are used for mounting standard top beam lifts to piling when the top of piles are not accessible or other mounting means are not available.

Stringer brackets are mounted to the top of the lift beam and are used to support the roofing system.

